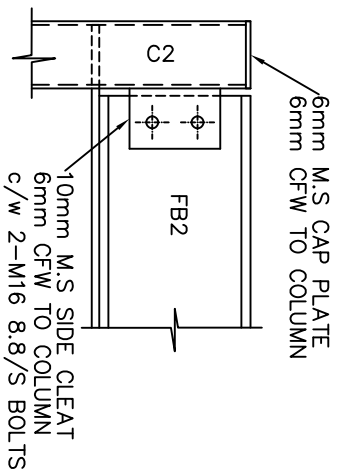
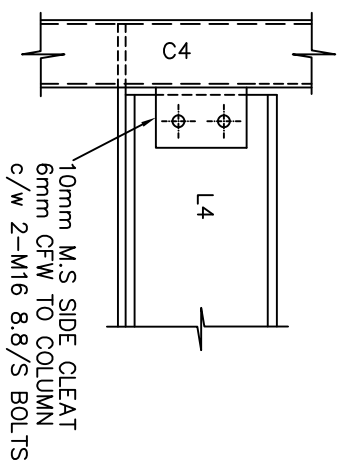


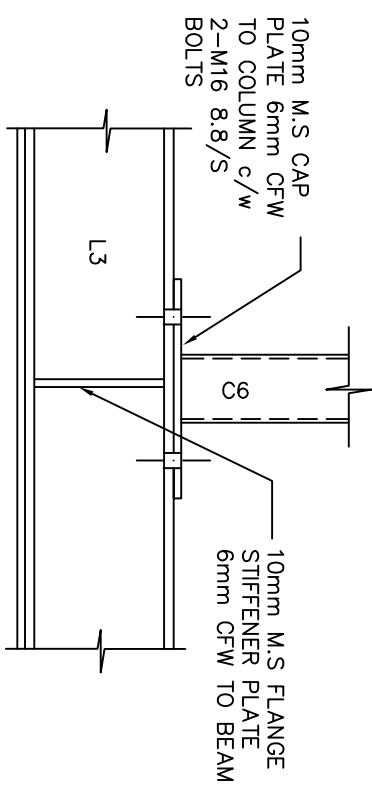
FB1/C2 DETAIL



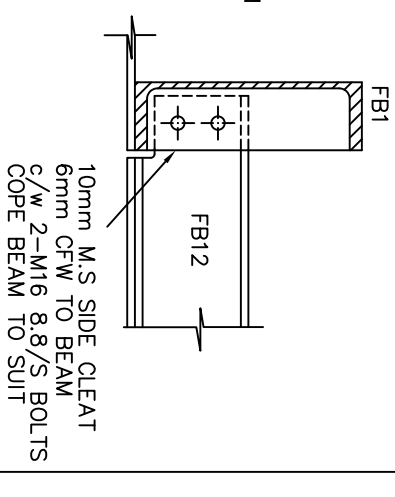
FB2/C2 DETAIL



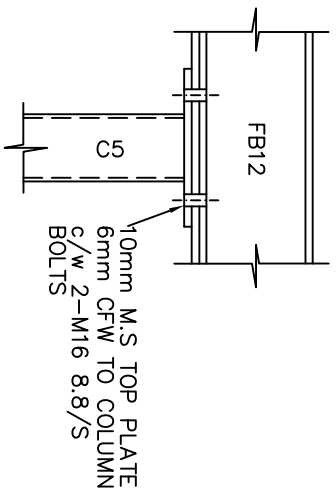
L4/C4 DETAIL



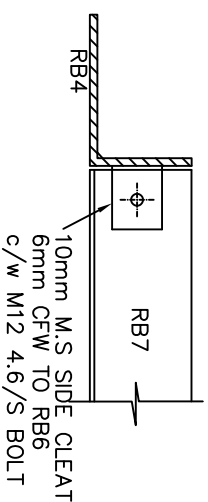
C6/L3 DETAIL



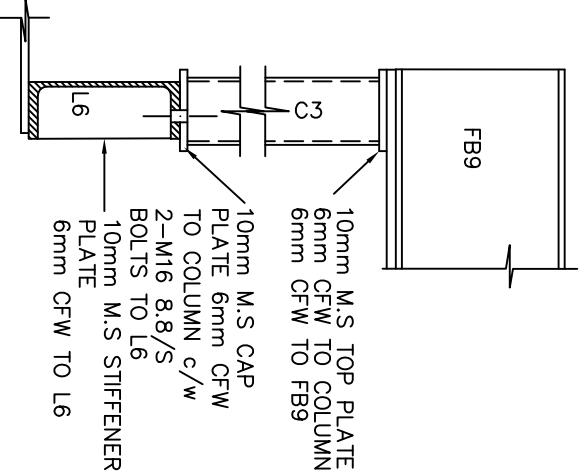
FB12/FB1 DETAIL



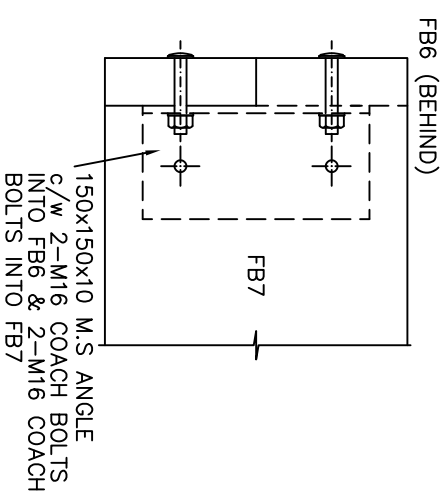
FB12/C5 DETAIL



RB7/RB4 DETAIL

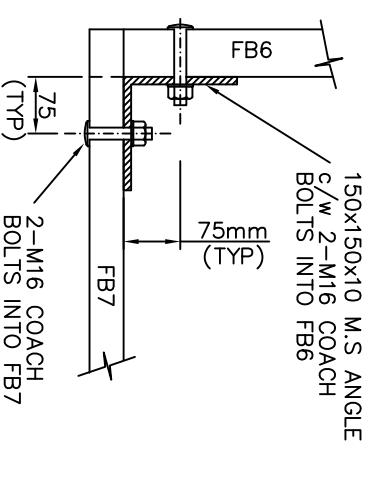


FB9/C3/L6 DETAIL



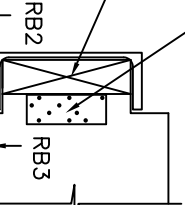
ELEVATION

FB6/FB7 DETAIL



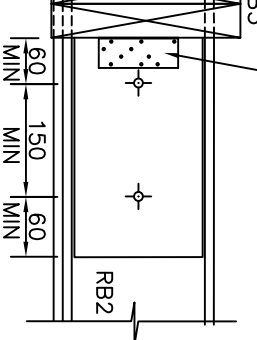
PLAN

PRYDA TRIP-L-GRIP TO TIMBER BEAM & NAILING PLATE (TYPICAL EITHER SIDE OF TIMBER BEAM)



FRONT VIEW

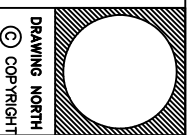
NAILING PLATE TO SUIT c/w 2-M10 COACH BOLTS OR APPROVED EQUIVALENT (TYPICAL EITHER SIDE OF TIMBER BEAM)



SIDE VIEW

RB3/RB2 DETAIL

PROPOSED RESIDENCE	
DATE:	DRAWN: R.R.
SCALE: N.T.S.	ENGINEER: R.R.
SHEET SIZE: A3	APPROVED: D.T.
CONNECTION DETAILS	
DRG. No.	REV. A
REVISION DESCRIPTION	DATE BY



DRAWING NORTH
© COPYRIGHT